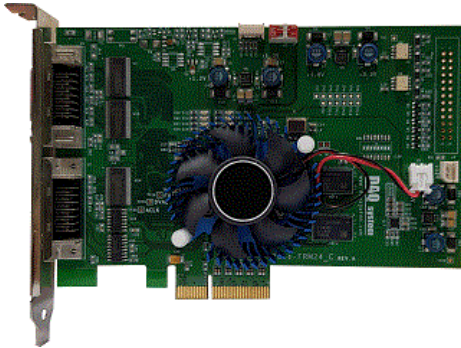


PCIe-FRM24_C

Base/Medium/Full Configuration Camera-link Frame Grabber Board



INTRODUCTION

The PCIe-FRM24_C is a Camera Link frame grabber that is based on the PCI Express GEN2 x4 interface, and supports one channel Base/Medium/Full configuration, multi-tap area and line scan color and monochrome camera link cameras.

GENERAL DESCRIPTION

- ◆ PCI Express GEN2 x4 interface
- ◆ Support Area/Line Scan Camera
- ◆ Support 1-CH Camera Link Base/Medium/Full Configuration
- ◆ High-speed image transfer rates up to 2GB/sec
- ◆ RS422 level A,B,Z phase encoder input, 2 Trigger Input, 1 Trigger Output
- ◆ 512MByte Image Memory

APPLICATION

- ◆ Black and White, Color Image Display
- ◆ Image Acquisition (Pattern, Particle etc)
- ◆ Inspection Equipment (Sensor, Semiconductor, Device etc)
- ◆ Medical Image Capture n(X-ray, Supersonic)
- ◆ Security Solution (DVI Surveillance Cameras)

SOFTWARE

■ Operating System

- Windows 2000/XP/7/8/10 (32/64bit)

■ API

- Interface with Application through client DLL

SPECIFICATION

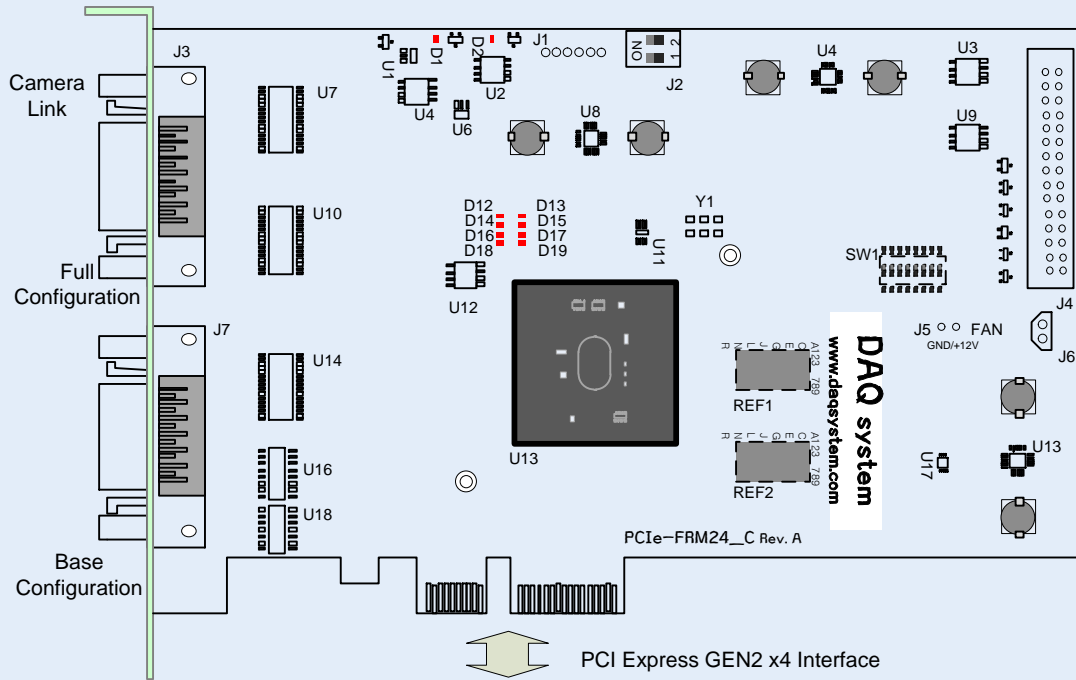
■ Features

- PCI Target and Bus Master Operation
- PCI Express 4x Interface (GEN2)
- Pixel Clock : 20 ~ 85MHz
- Support 1 ~ 10tap 85Mhz

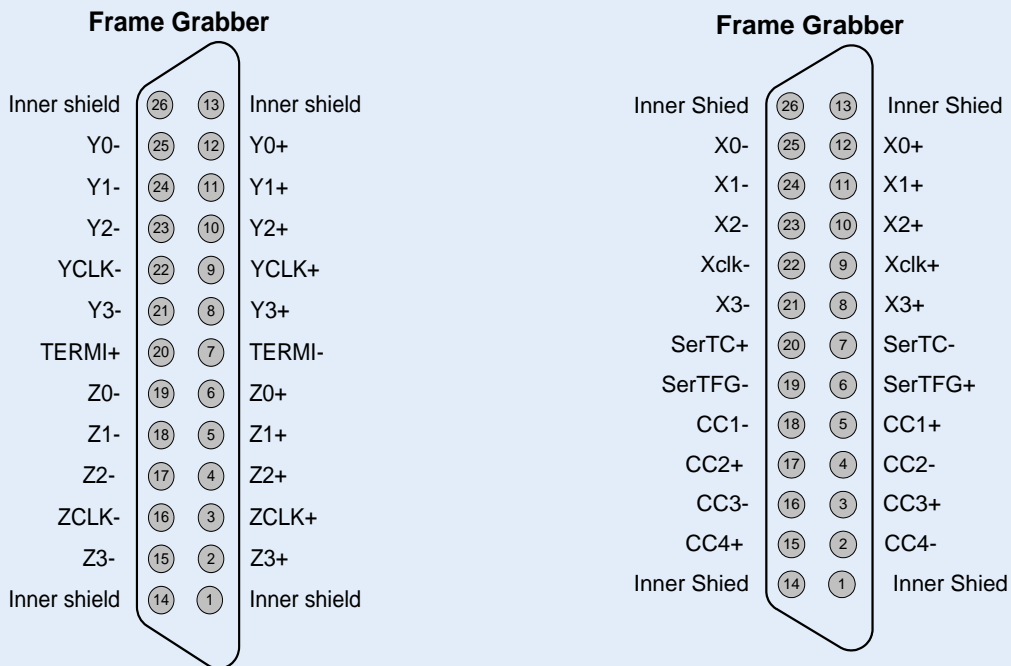
■ Functions

- Base Configuration : Data1 MDR26
- Medium and Full Configuration : Data1 and Data2 MDR26
- Camera control : CC1~CC4 in Data1 MDR26
- A,B,Z phase RS422 Signal Input
- Page Trigger Input
- Line Trigger Input
- Line Trigger Output

■ **Board Feature**



■ **Connector Map**



Medium/Full Camera Link : J3

Base Camera Link : J7

PHYSICAL/ENVIRONMENTAL

■ **From Factor**

- PCI express GEN2 4x

■ **Dimension**

- Dimension (not including connectors) : 139mm x 97 mm

■ **Temperature**

- 0 to 60°C, Operating
- -20 to + 80°C Storage

■ **Relative Humidity**

- 5 to 95%, Non-considering

■ **Power Requirement**

- 3.3V Single Power Operation at Max. 300mA

BLOCK DIAGRAM

