

PCIe-FRM16

Dual DVI Frame Grabber with PCI Express Interface



INTRODUCTION

The PCIe-FRM16 is a PCI Express board having the function of processing the frame data received from DVI(Digital Visual Interface) and save the data in the system's main memory.

GENERAL DESCRIPTION

- ◆ Supports Dual DVI Inputs
- ◆ Full HD(1920x1200) Resolution

APPLICATION

- ◆ Black and White, Color Image Display
- ◆ Image Acquisition (Pattern, Particle etc)
- ◆ Inspection Equipment (Sensor, Semiconductor, Device etc)
- ◆ Medical Image Capture (X-ray, Supersonic)
- ◆ Security Solution (DVI Surveillance Cameras)

SOFTWARE

▣ Operating System

- Windows 2000/XP/7/8/10 (32/64bit)

▣ API

- Interface with Application through client DLL

SPECIFICATION

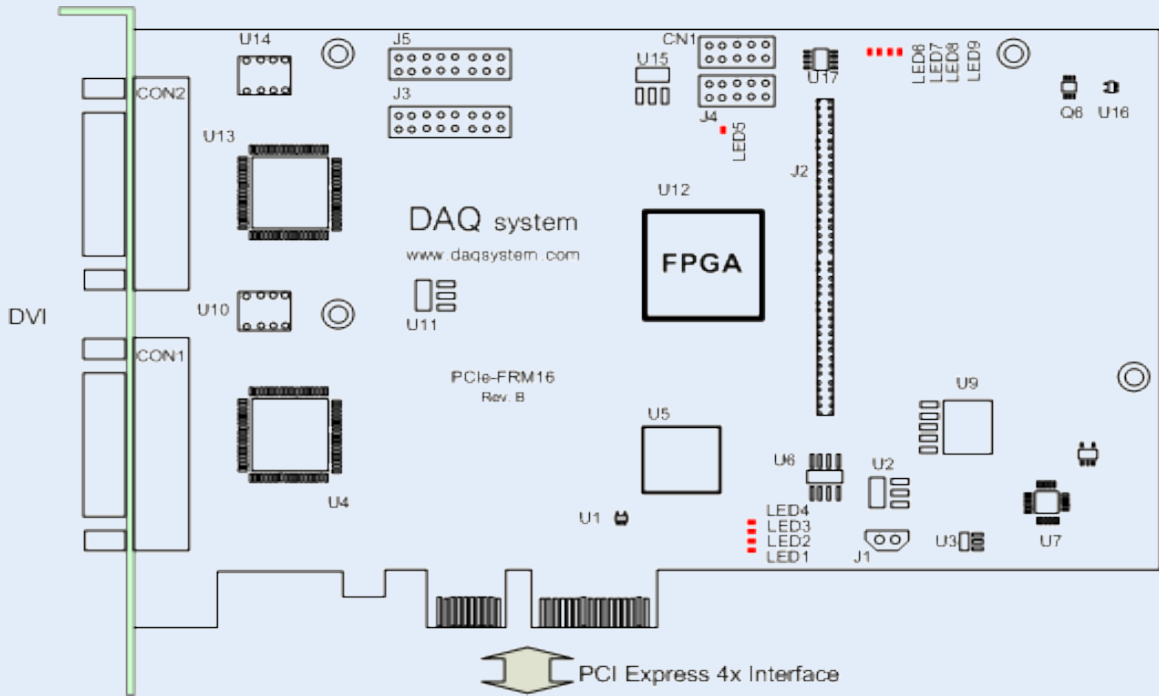
▣ Features

- PCI Local Bus Specification V1.0 Compatible
- PCI Target and Bus Master Operation
- PCI Express 4x Interface
- 24/16bit Image Frame Data Acquisition

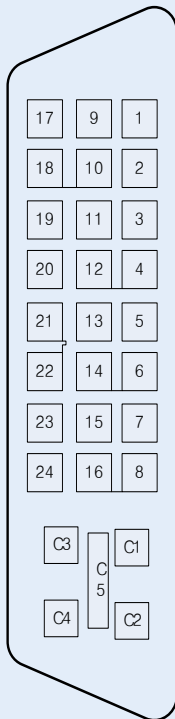
▣ Functions

- All of the board functions are controlled by the logic program of the FPGA.
- DDC(100K I2C)
- DDC for automatic configuration

■ Board Feature



■ Connector Map



CON1, CON2 : DVI

PHYSICAL/ENVIRONMENTAL

■ **From Factor**

- PCI express 4x

■ **Dimension**

- DVI connector : CON1, CON2
- Dimension (not including connectors) : 152mm x 106 mm

■ **Temperature**

- 0 to 60°C, Operating
- -20 to 80°C Storage

■ **Relative Humidity**

- 5 to 95%, Non-considering

■ **Power Requirement**

- 3.3V Single Power Operation at Max. 300mA

BLOCK DIAGRAM

