

USB3-FRM22

USB3.0 Host Interface Base Board for MIPI C-PHY/D-PHY



INTRODUCTION

The USB3-FRM22 is a board already transmitting a frame to PC through USB3.0 Super Speed(5Gbps) methods. MIPI (Mobile Industry Processor Interface) C-PHY or D-PHY signals are received as input a video signals.

GENERAL DESCRIPTION

- ◆ USB 3.0 Specification
- ◆ Super Speed Device 5Gbps
- ◆ MIPI CSI C-PHY 3Lane
(Up to 2.3Gsym per Lane)
- ◆ MIPI CSI D-PHY 4Lane
(Up to 2.5Gbps per Lane)
- ◆ 512MByte Image Memory

APPLICATION

- ◆ Image Acquisition (Pattern, Particle etc)
- ◆ Inspection Equipment (Sensor, Semiconductor, Device etc)
- ◆ Medical Image Capture (X-ray, Supersonic)

SOFTWARE

- ▣ **Operating System**
 - Windows 2000/XP/7/8/10 (32/64bit)
- ▣ **API**
 - Interface with Application through client DLL

SPECIFICATION

▣ **Features**

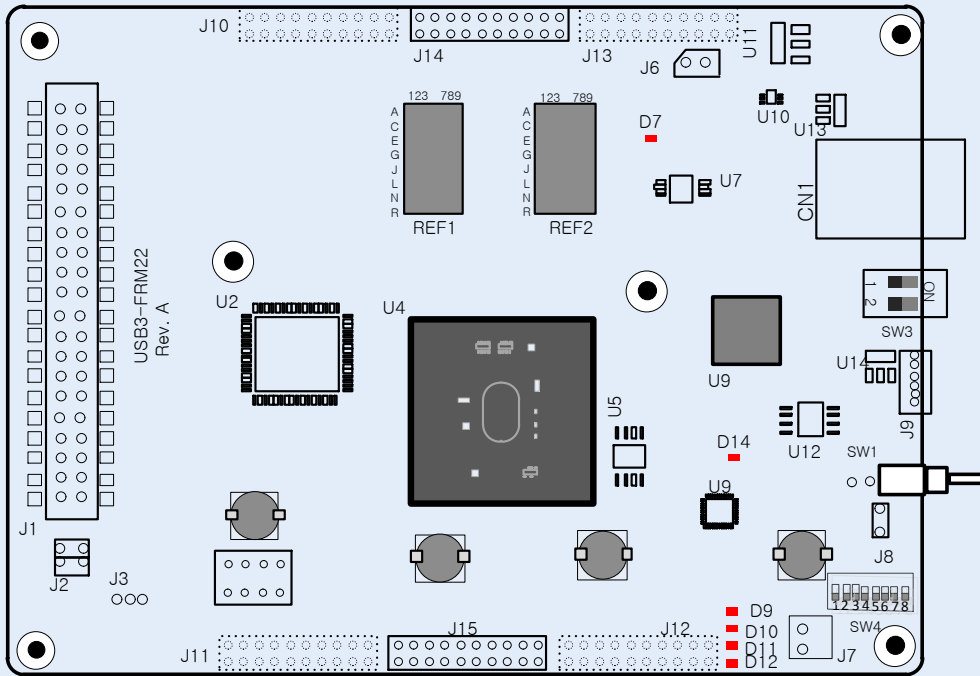
- USB 3.0 Specification with type-B Connector
- Super Speed Device 5Gbps
- MIPI CSI2 C-PHY 3Lane
- MIPI CSI2 D-PHY 4Lane
- I2C/SPI Communication

▣ **Function**

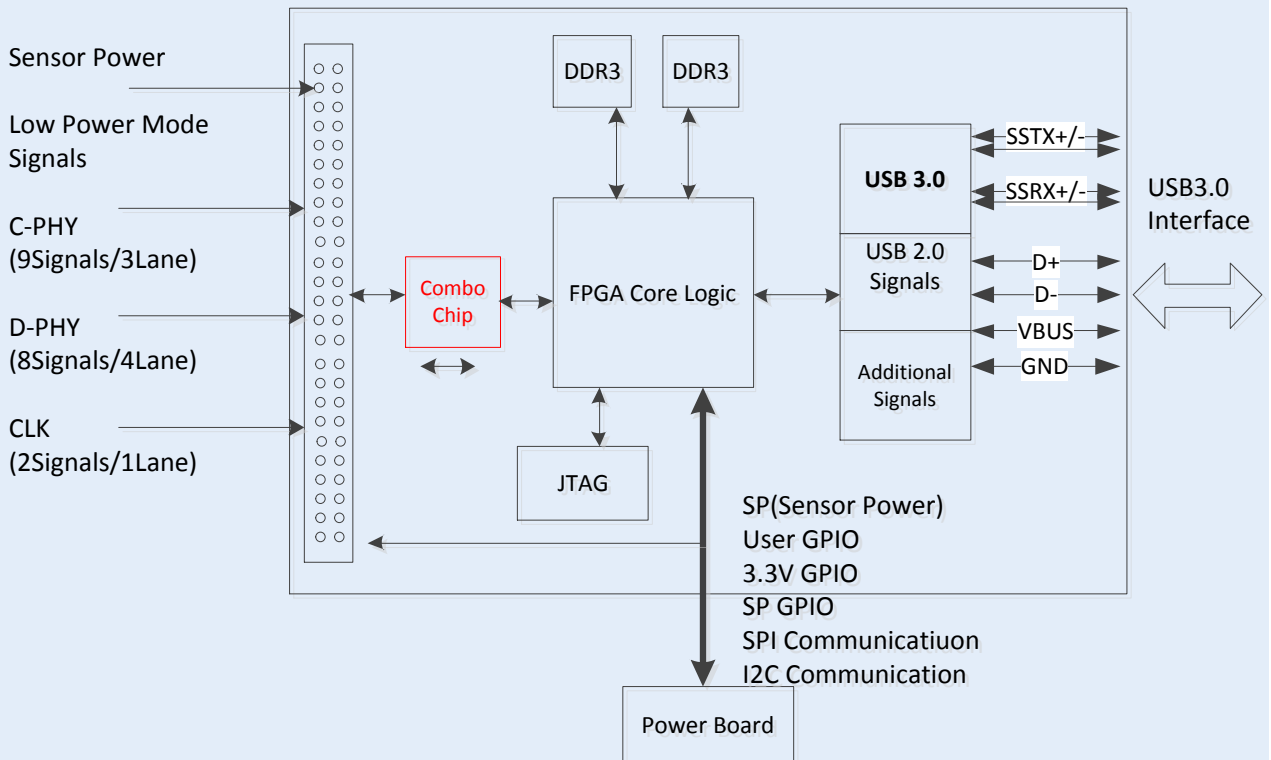
- External 12V (Use MIPI Power Board)
- USB-B type Operation
- Supports Fully Plug-and-Play

■ Board Feature

USB3-FRM22 Board



■ Block Diagram



PHYSICAL/ENVIRONMENTAL

▣ From Factor

- USB3.0

▣ Dimension

- Host I/O : USB3.0 B-type connector
- External I/O Signal : 40pin Header connector
- Dimension (not including connectors) : 110mm x 80 mm

▣ Temperature

- 0 to 60°C, Operating
- -20 to 80°C Storage

▣ Relative Humidity

- 5 to 95%, Non-considering

▣ Power Requirement

- Power Supply : MIPI Power Board